

BENCHTECH CORNER WORK BENCH

with 150mm High Splashback

9.41

BENCHTECH

BT-WB-6CNR / BENCHTECH CORNER WORK BENCH



features and benefits

- Satin Finish
- 304 Grade S.S.
- 1.2mm Thick S.S.
- S.S. 'C Channel' Reinforcement
- 150mm High Splashback
- Adjustable Feet Height

about

Providing absolute value for money, the BenchTech Corner Work Bench is supplied complete with a 150mm splashback, 'C Channel' reinforced support shelf and Adjustable Feet. Made from 1.2mm thick grade 304 stainless steel with a satin finish, this unit is a perfect addition for any application including but not limited to teaching kitchen, canteens, cafes and restaurants.

sample spec. text

Benchtech Corner Work Bench with 150mm High Splashback. Complete with 'C Channel' Support Shelf and Adjustable Feet - Product Code BT-WB-6CNR

*RED TEXT may denote a **variable** where one option only is to be selected, a **nominal dimension** that needs to be specified, or an **optional feature** that can be removed if not required. Please refer to the back of this page for additional specification details and options.

VISIT BRITEX.COM.AU TO DOWNLOAD BIM FILES, CAD DRAWINGS AND THE MOST CURRENT PRODUCT LITERATURE.



MELBOURNE
Britex Place, Mirra Crt
Bundoora VIC 3083
t (03) 9466 9000
f (03) 9466 9011

SYDNEY
16 Northumberland Drv
Taren Point NSW 2229
t (02) 9531 2100
f (02) 9531 2800

PERTH
Unit 1/8 Principal Link
Malaga WA 6090
t (08) 9249 5464
f (08) 9248 6893

BRISBANE
19 Manilla St
East Brisbane QLD 4169
t (07) 3363 2400
f (07) 3363 2444

ADELAIDE
The Britex Group
SA State Office
t 1300 764 744
f 1300 784 306

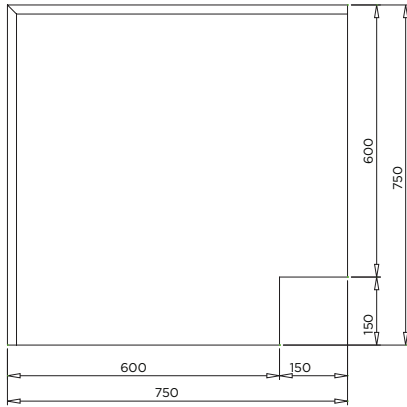
britex.com.au | info@britex.com.au | A.B.N 83 004 309 737

BENCHTECH CORNER WORK BENCH

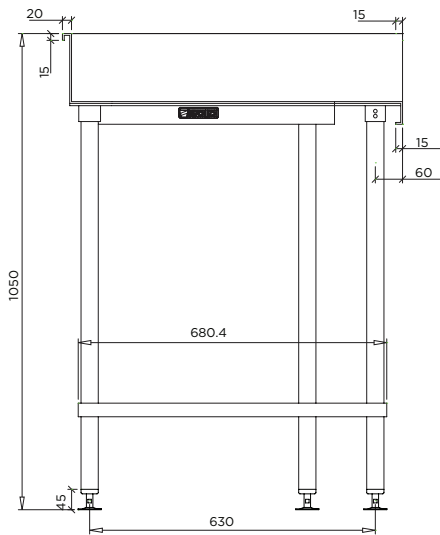
with 150mm High Splashback

PRODUCT CODE

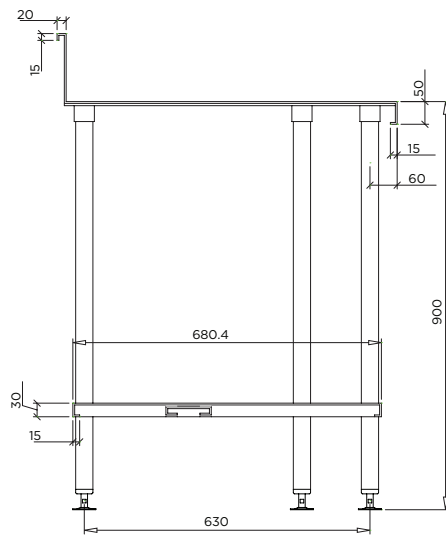
BT-WB-6CNR



MODEL BT-PS Plan



MODEL BT-PS Front Elevation



MODEL BT-PS Section

When specifying this product please include:

- Product **Name** and **Code**
- Product **Dimensions**

specifying
guide

VISIT BRITEX.COM.AU TO DOWNLOAD BIM FILES, CAD DRAWINGS AND THE MOST CURRENT PRODUCT LITERATURE.



Due to ongoing research and our commitment to product development, details are subject to change without notice. Details accurate at time of print. Please refer to britex.com.au for the most current product information. Allow +/- 5mm tolerance for dimensions and setouts shown in product literature.

britex.com.au | info@britex.com.au | A.B.N 83 004 309 737

